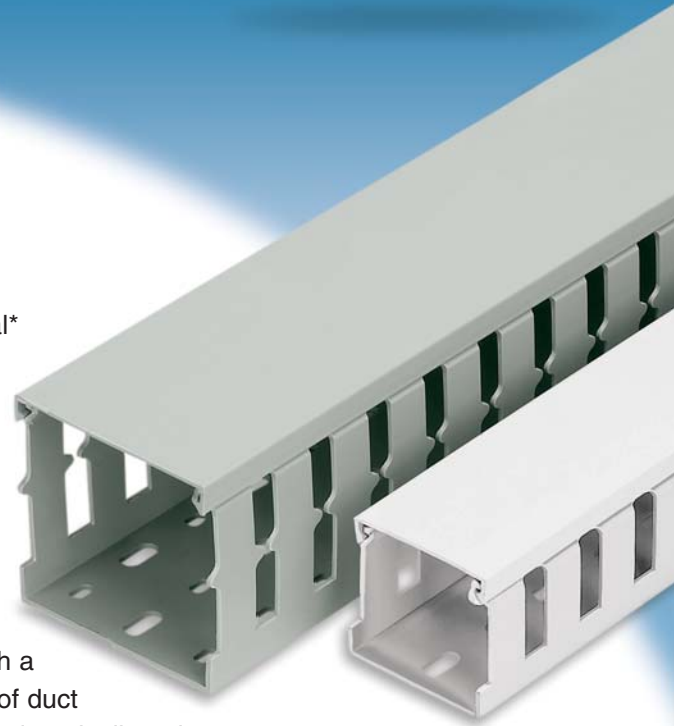


PANDUCT® Type NNC — Halogen Free Metric Wiring Duct

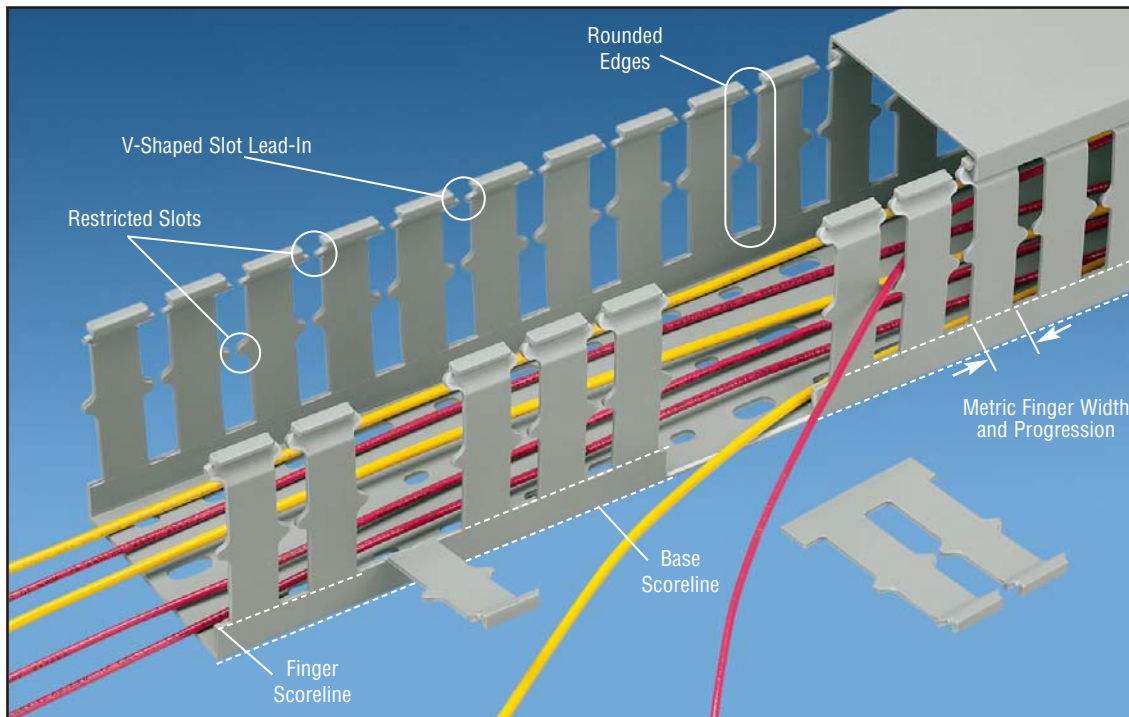
PANDUCT® Type NNC Wiring Duct is made from halogen free material* that will not emit corrosive or harmful toxic gases when burned and withstands higher continuous use temperatures than PVC. NNC Duct is used to route, protect and manage wires near sensitive electronic equipment and in environments where public safety or heat resistance is a concern.

NNC Duct is available in fourteen metric profile sizes from 25x25mm to 100x100mm to meet a variety of applications. The base features a wide slot design allowing the product to be used with a large range of cable diameters and two scorelines for easy removal of duct fingers and sidewalls. The non-slip cover stays in place when mounted vertically or in areas of high vibration. The halogen free material has a UL 94 flammability rating of V-0 and a UL recognized continuous use temperature rating of 95°C (203°F). NNC Duct meets NFPA 79-2002, Electrical Standard for Industrial Machinery, Section 14.3.1.

*Per IEC 60754-2 determination of the amount of halogen acid gas evolved during the combustion of material.



PANDUCT® Type NNC Wiring Duct



Key Features

Halogen free material

Benefits

Non-toxic, lead free, environmentally safe material and will not release toxic or corrosive gases in the event of a fire ensuring the safety of persons in enclosed environments (passenger rail, oil & gas platforms) and the protection of electronic equipment

UL94 V-0 material flame rating

Material is self-extinguishing and provides a greater flame resistance when compared to other halogen free wiring ducts enabling its use in more types of electrical applications

High continuous use temperature

The UL Recognized use temperature of 95° C (203°F) is greater than other halogen free wiring ducts indicating its use in more applications

Flush cover

The base sidewall is even with cover for superior aesthetics and greater wiring capacity when compared to non-flush cover wiring duct

Base and finger scoreline

The product has scorelines at the base of the finger and sidewall allowing easy finger and sidewall breakouts, saving installation time compared to other halogen free ducts

Halogen free non-slip cover liner

The halogen free liner ensures that the cover does not slide easily when installed on the base and stays in place during control panel vibration due to shipment or other sources

DIN 43 659 mounting hole pattern

Provides the required mounting hole pattern for control panels designed to European standards and provides more mounting holes for greater mounting flexibility

Fourteen sizes available

User can maximize value by choosing duct sizes which match closely to wire counts, providing design flexibility and scalability to the application

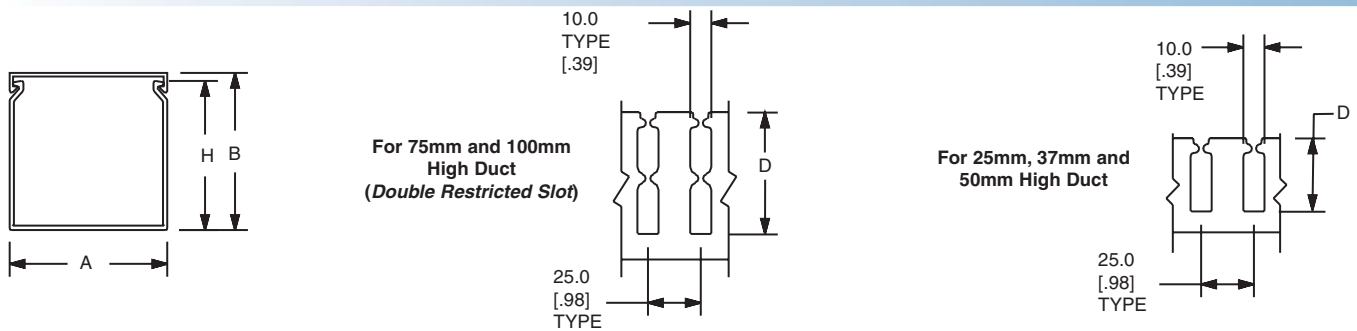
Ordering Information

Duct and Cover* Part Numbers	Duct Nominal Size		Duct & Cover Std. Ctn. ** Qty. (M)	Replacement Cover Part Numbers	Replacement Cover Std. Ctn. Qty. (M)	DIMENSIONS — mm (inches) Refer to drawings below			
	W X H (mm)	W X H (inches)				A	B	D	H
NNC25X25LG2	25 x 25	1.00 x 1.00	20	NC25LG2	20	24.6 (0.97)	23.6 (0.93)	13.6 (0.54)	20.3 (0.80)
NNC25X37LG2	25 x 37	1.00 x 1.50	20		20	24.6 (0.97)	35.8 (1.41)	24.6 (0.97)	33.0 (1.30)
NNC25X50LG2	25 x 50	1.00 x 2.00	20		20	24.6 (0.97)	47.8 (1.88)	34.8 (1.37)	45.5 (1.79)
NNC25X75LG2	25 x 75	1.00 x 3.00	20		20	24.6 (0.97)	72.4 (2.85)	57.7 (2.27)	70.6 (2.78)
NNC37X37LG2	37 x 37	1.50 x 1.50	20	NC37LG2	20	37.1 (1.46)	35.8 (1.41)	24.7 (0.97)	33.0 (1.30)
NNC37X50LG2	37 x 50	1.50 x 2.00	20		20	37.1 (1.46)	47.8 (1.88)	34.8 (1.37)	45.5 (1.79)
NNC37X75LG2	37 x 75	1.50 x 3.00	20		20	37.1 (1.46)	72.4 (2.85)	57.7 (2.27)	70.6 (2.78)
NNC50X50LG2	50 x 50	2.00 x 2.00	20		20	49.5 (1.95)	47.8 (1.88)	34.8 (1.37)	45.5 (1.79)
NNC50X75LG2	50 x 75	2.00 x 3.00	10	NC50LG2	20	49.5 (1.95)	72.4 (2.85)	57.7 (2.27)	70.6 (2.78)
NNC50X100LG2	50 x 100	2.00 x 4.00	10		20	49.5 (1.95)	97.8 (3.85)	81.0 (3.19)	95.5 (3.76)
NNC75X75LG2	75 x 75	3.00 x 3.00	10	NC75LG2	20	74.7 (2.94)	72.4 (2.85)	57.7 (2.27)	70.6 (2.78)
NNC100X50LG2	100 x 50	4.00 x 2.00	10	NC100LG2	20	99.6 (3.92)	47.8 (1.88)	34.8 (1.37)	45.5 (1.79)
NNC100X75LG2	100 x 75	4.00 x 3.00	10		20	99.6 (3.92)	72.4 (2.85)	57.7 (2.27)	70.6 (2.78)
NNC100X100LG2	100 x 100	4.00 x 4.00	10		20	99.6 (3.92)	97.8 (3.85)	81.0 (3.19)	95.5 (3.76)

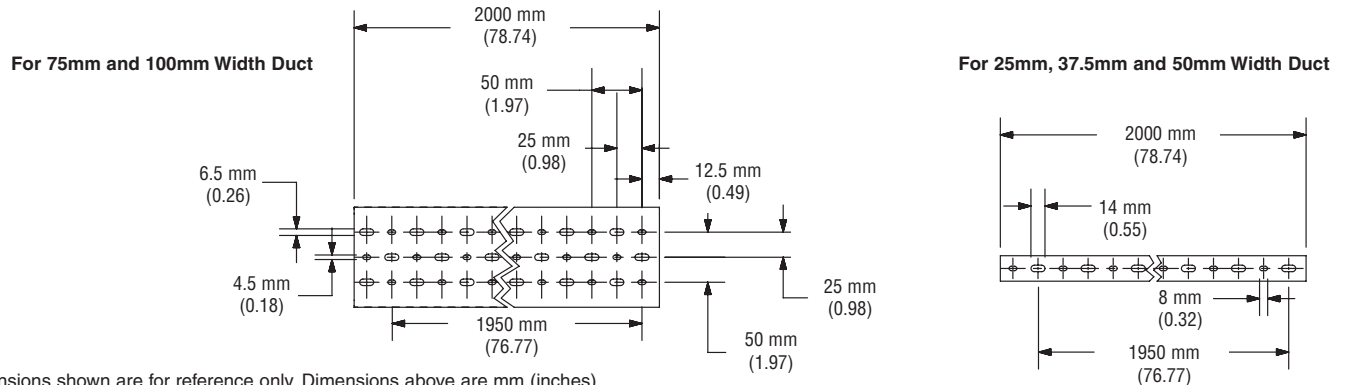
*For White, substitute LG (Light Gray) with WH. For example: NNC25X50WH2

**Order number of meters required in multiples of standard carton quantities. Duct base and cover packaged together in 2 meter lengths.

NNC Duct Dimensions



Mounting Hole Dimensions



Dimensions shown are for reference only. Dimensions above are mm (inches).

Wirefill Capacity

NOMINAL DUCT SIZE (WXH)	NOMINAL AREA mm ²	ELECTRICAL											NETWORK CABLES						
		8 AWG		10 AWG		12 AWG		14 AWG			16 AWG		18 AWG		22 AWG		24 AWG		
		.216	.153	.122	.158	.105	.139	.165	.096	.125	.084	.113	.065	.217	.250	.422			
		THHN	THHN	THHN	MTW	THHN	MTW	MTW	THHN	MTW	THHN	MTW	MTW	UTP/CM CAT5e	UTP/CM CAT6	UTP/CM			
25X25	625	12	24	37	22	50	29	20	60	35	78	43	131	12	9	3			
25X37	925	18	35	55	33	74	42	30	89	52	116	64	194	17	13	5			
25X50	1250	24	47	74	44	100	57	41	120	71	157	87	262	24	18	6			
25X75	1875	36	71	112	67	151	86	61	180	106	235	130	393	35	27	9			
37X37	1369	26	52	81	49	110	63	45	132	78	172	95	287	26	19	7			
37X50	1850	35	70	110	66	149	85	60	178	105	232	128	388	35	26	9			
37X75	2775	53	105	165	98	223	127	90	267	157	348	193	582	52	39	14			
50X50	2500	47	95	149	89	201	115	81	240	142	314	173	524	47	35	12			
50X75	3750	71	142	223	133	301	172	122	360	213	471	260	786	71	53	19			
50X100	5000	95	189	298	177	402	229	163	481	238	628	347	1048	94	71	25			
75X75	5625	107	213	335	200	452	258	183	541	319	706	390	1179	106	80	28			
100X50	5000	95	189	298	177	402	229	163	481	283	628	347	1048	94	71	25			
100X75	7500	142	284	446	266	603	344	244	721	425	941	520	1572	141	106	37			
100X100	10000	190	378	595	355	803	458	325	961	567	1255	694	2096	188	142	50			

Wirefill is based on 50% cross-sectional area.

PANDUIT® Type NNC Wiring Duct — Material Properties

Properties	Halogen Free PPO Material	Test Method
General		
Specific Gravity	1.09 g/cc	ASTM D 792
Rockwell Hardness	116 "R"	ASTM D 785
Mechanical		
Tensile Strength at Yield	7,700 psi	ASTM D 638
Tensile Modulus	350,000 psi	ASTM D 638
Flexural Strength at Yield	11,500 psi	ASTM D 790
Flexural Modulus	340,000 psi	ASTM D 790
Notched Izod Impact Strength @ 23°C (73°F)	5.0 ft-lb/in	ASTM D 256
Heat Deflection Temperature @264 psi	215°F	ASTM D 648

Properties	Halogen Free PPO Material	Test Method
Flammability		
Limited Oxygen Index (LOI)	30	ASTM D 2863
Smoke Density (Flaming) @ 4 min.	513	ASTM E 662
Flammability Class @ 0.062"	V-0	UL94
Halogen Free	Yes	IEC 60754-2
Agency Approvals		
UL Recognized file E147128		
CSA Certified file 016446-0-00		
CE Compliant:		
■ Non-metallic, non-flame propagating CDS	■ 211 temperature classification	
■ Heavy impact resistance	■ Cover removal without tools	

NOTE:

DO NOT allow cutting, tapping, or cleaning fluids that contain hydrocarbons to come in contact with Type NNC Wiring Duct. For a list of recommended lubricants to use with Type NNC Wiring Duct log on to www.panduit.com

Installation Tools and Accessories

Type FL — Flexible Wiring Duct



- Made of flexible Nylon 6.6 material
- The flexibility of Type FL allows it to be used in applications where conventional rigid PVC duct cannot

DCT — Duct Cutting Tool



- Provides a smooth burr-free cut on both wiring duct and cover

DNT-100 — Notching Tool



- Notches duct sidewalls to bottom scoreline for tees and corners

TNR — Nylon Rivet Installation Tool



- Hand held tool for easy rivet installation

DFCT — Duct Finger Cutting Tool



- Easily removes duct fingers in tight places

NR1 — Nylon Rivet



- For use with TNR Tool

WORLDWIDE SUBSIDIARIES AND SALES OFFICES

PANDUIT CANADA
Markham, Ontario
cs-cdn@panduit.com
Phone: 800.777.3300

PANDUIT EUROPE LTD.
London, UK
cs-emea@panduit.com
Phone: 44.20.8601.7200

PANDUIT SINGAPORE PTE. LTD.
Republic of Singapore
cs-ap@panduit.com
Phone: 65.6379.6700

PANDUIT JAPAN
Tokyo, Japan
cs-japan@panduit.com
Phone: 81.3.3767.7011

PANDUIT LATIN AMERICA
Jalisco, Mexico
cs-la@panduit.com
Phone: 52.333.666.2501

PANDUIT AUSTRALIA PTY. LTD.
Victoria, Australia
cs-aus@panduit.com
Phone: 61.3.9794.9020

For a copy of PANDUIT product warranties, log on to www.panduit.com/warranty



For more information or to request a catalog

www.panduit.com

cs@panduit.com • 800-777-3300

©2004 PANDUIT Corp.
ALL RIGHTS RESERVED.
Printed in U.S.A.

WW-WDCB06

12/2004