

MS STRAPPING TOOL OPERATION INSTRUCTIONS

© Panduit Corp. 2004

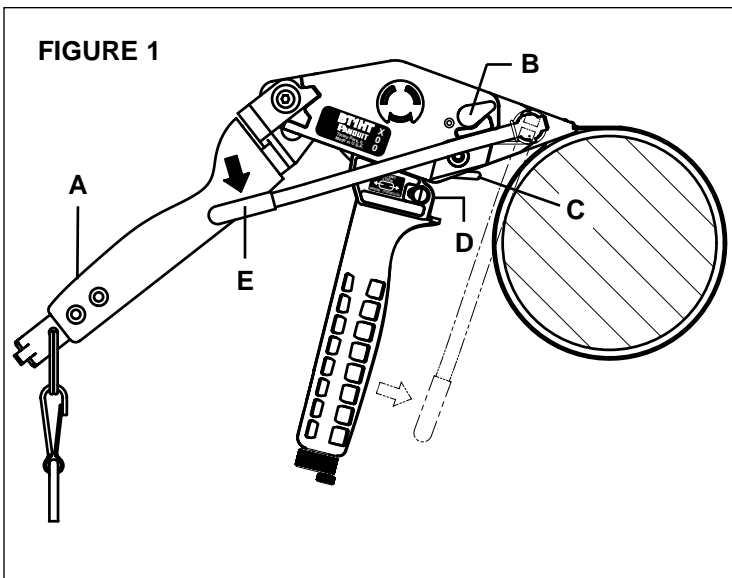
INTRODUCTION

The BT1HT Tool installs *PANDUIT PAN-STEEL* coated and uncoated MS Series strap and buckles in widths of 3/8" (9.5mm), 1/2" (12.7mm); and 5/8" (15.9mm).

Note: This tool is not intended for other uses such as cutting or tensioning other types of fastening devices.

SAFETY PRACTICES

1. ALWAYS wear safety glasses when using this tool.
2. DO NOT place fingers near cutter blade during tool actuation. Fingers may be pinched or injured by cutter blade.
3. DO NOT use tool on live electrical sources.

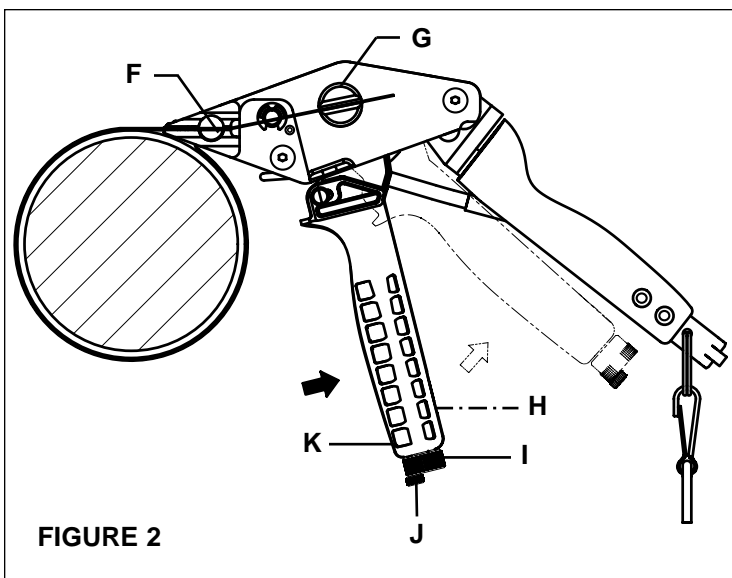
**FIGURE 1****TOOL FEATURES**

- A. Rear Handle
- B.* Tension Pawl Release - Knob pointing towards the front of tool for pawl engagement and to rear of tool for disengagement.
- C.* Anti-Backup Pawl Release - Lever up against tool for pawl engagement and pulled down to disengage pawl.
- D.* Detent Lock Pins - For controlled tension, pull both pins forward; for manual tension, push both pins backward.
- E. Cutter Lever - Cuts tie when strap is tensioned properly.
- F. Cutter Blade
- G. Tensioning Mandrel
- H.* Tension Indicator Window - Located on the back of front handle.
- I.* Adjustment Knob - Adjust tension of strap application.
- J. Tension Locking Screw
- K. Front Handle - With ratchet controlled tensioning.

* See Page 2 for Feature Detail

TOOL OPERATION

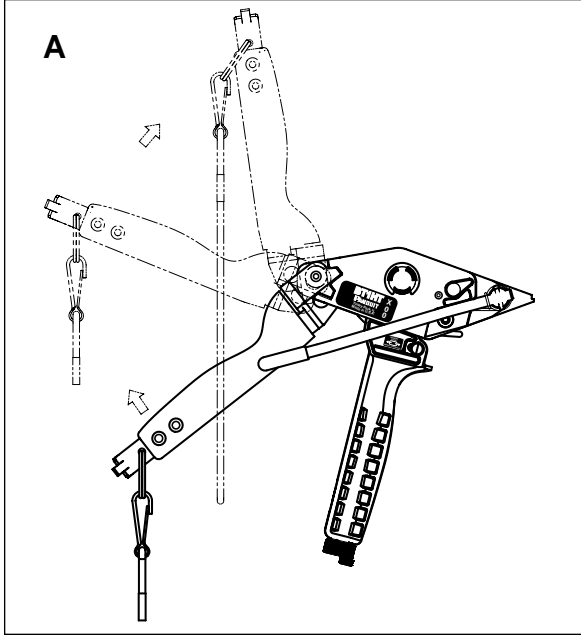
See Steps 1 - 8 on Pages 3 and 4.

**FIGURE 2**

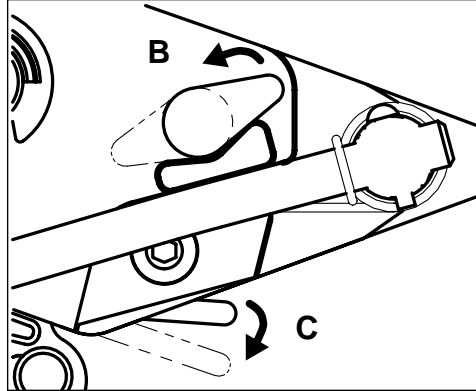
BT1HT OPERATION INSTRUCTIONS

TOOL MAINTENANCE

TO INHIBIT CORROSION AND MAINTAIN PERFORMANCE OF THE TOOL, KEEP THE METAL SURFACES COATED WITH A LIGHT OIL (WD-40® OR EQUIVALENT).

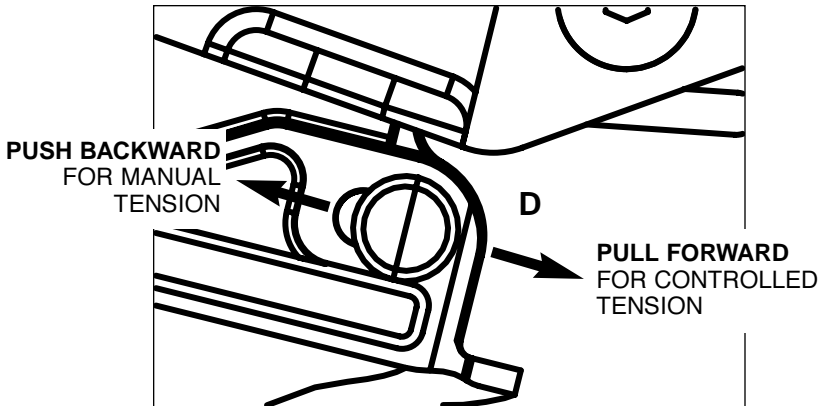


A
MULTI-POSITION HANDLE
ALLOWS ACCESS TO TIGHT AREAS.



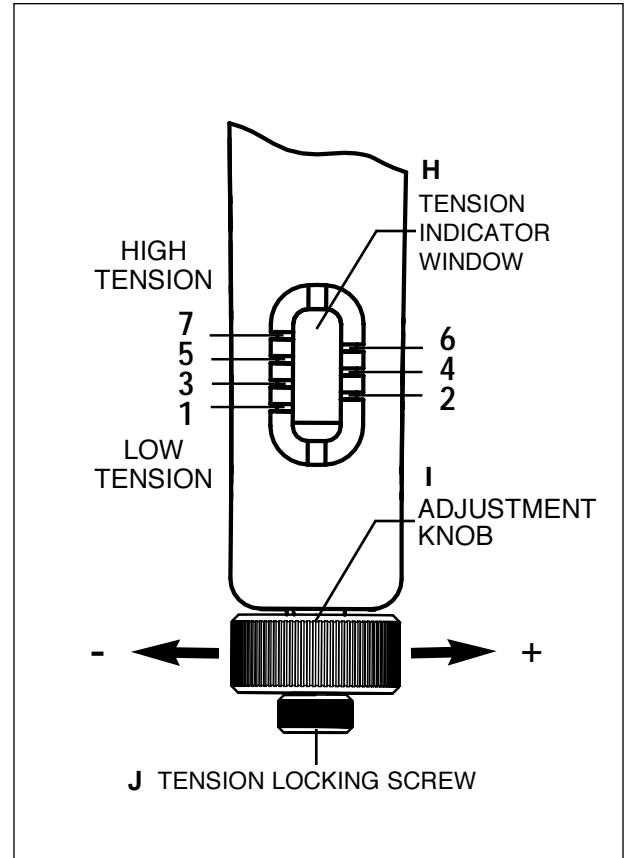
TROUBLESHOOTING

TO RELEASE AND REMOVE STRAP FROM TOOL BEFORE CUTTING, DISENGAGE BOTH KNOB AND LEVER.



**PUSH BACKWARD
FOR MANUAL
TENSION**

D
**PULL FORWARD
FOR CONTROLLED
TENSION**



H
TENSION
INDICATOR
WINDOW

7
5
3
1
LOW
TENSION

H
TENSION
INDICATOR
WINDOW

6
4
2

I
ADJUSTMENT
KNOB

- ← → +

J TENSION LOCKING SCREW

STRAP SIZE	SETTING
3/8" STRAP	1 – 5
1/2" STRAP	1 – 7
5/8" STRAP	1 – 7

BT1HT OPERATION INSTRUCTIONS

STEP 1



Slide in buckle and bend the end of strap.

STEP 2



Loop strap around bundle.
Thread strap into nose of tool
and through slot of tensioning mandrel.

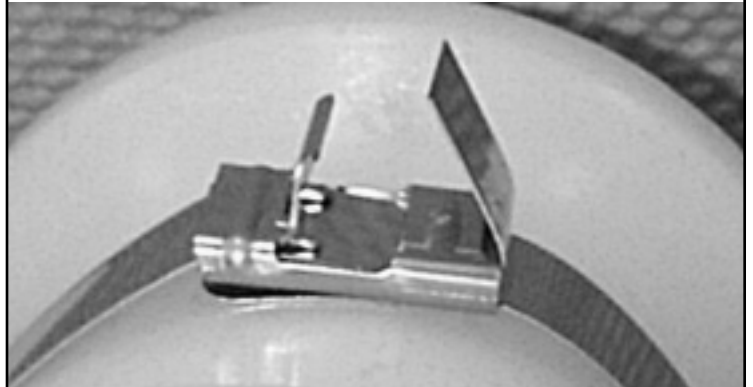
STEP 3



Pull front handle to tension strap.

Under controlled tension, the front handle will
break free when pre-determined tension is attained.

STEP 4



Push cutter lever downward to cut strap

Remove cut-off portion of strap from tool.

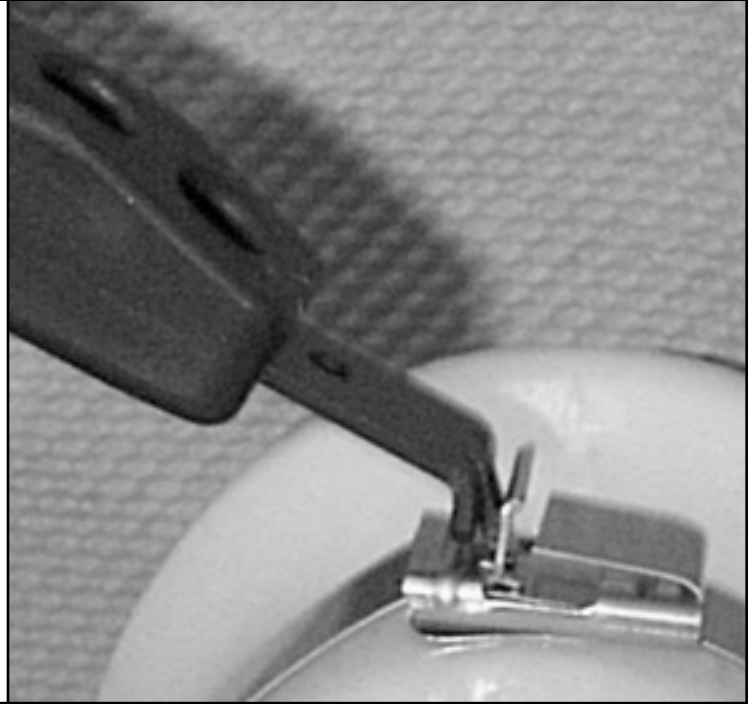
BT1HT OPERATION INSTRUCTIONS

STEP 5



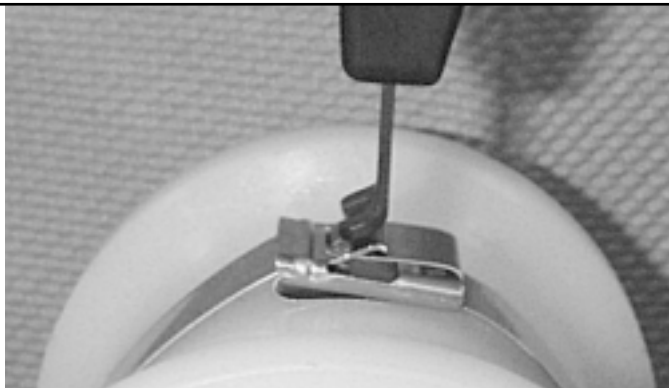
Bend cut-off end of strap down.

STEP 6



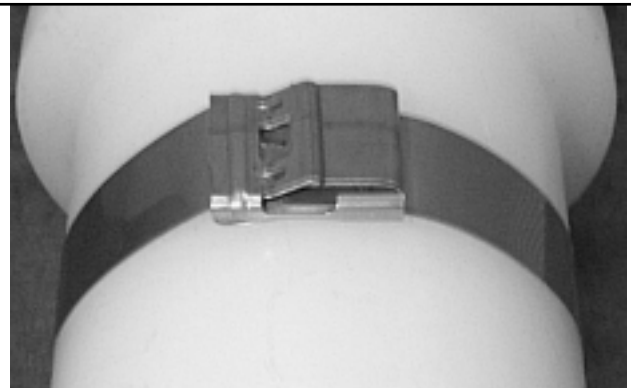
Position tab of the tool inside the buckle slot.

STEP 7



Bend the buckle lock down as shown.

STEP 8



Strap correctly installed.