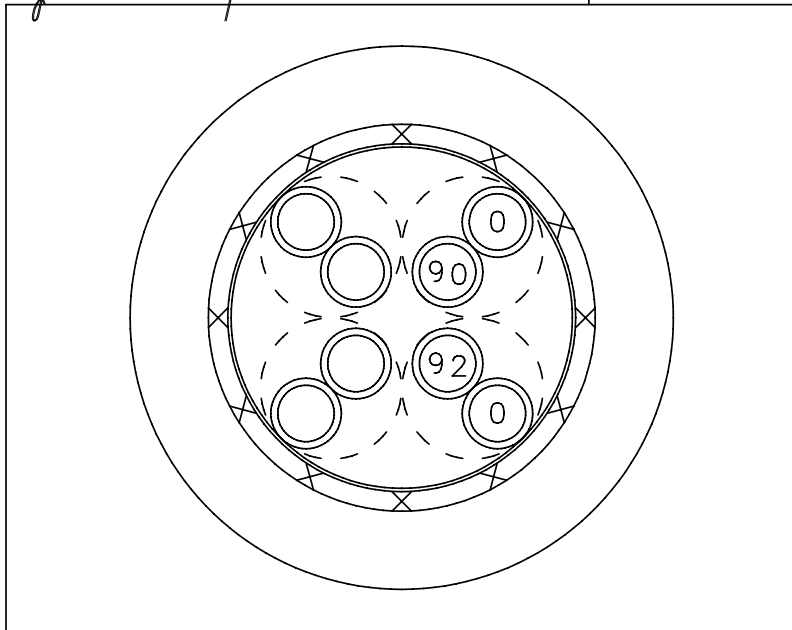


<b>Product Construction:</b> 8 Conductor Cable Shielded and Jacketed	Redrawn 17/3/06	<b>Product Description</b> EPD 21138	Issue C ① S'sedes
--	-----------------	---	----------------------

<b>Designer</b> <i>Janice Campbell</i>	<b>Date</b> 24/08/94	<b>Product Manager</b> <i>Dave Gardner</i>	<b>Date</b> 25/08/94	Page 1 of 1
---	-------------------------	---	-------------------------	----------------



Controlled Customer Copy  
 ROYAL NAVY  
 NETHERLANDS

Specifications  
 Raychem WCD2015 ①

The copyright in this drawing is the property of Tyco Electronics UK Limited. The drawing is issued on condition it is not copied, reproduced or disclosed to a third party either in whole or in part without prior written consent of Tyco Electronics UK Limited.

Layer Type / Operation	Component Details <i>Part Numbers refer to issue in effect at date of issue of this EPD.</i>	Nominal O.D.mm
Components: Cable	4 of 44A0121-22 Colours as above All remaining pairs black/white	
Cabling: Layer 1	4 of 44A0121-22	5.2
Wrap:	Mylar	5.3
Shield: Braid	Tin Plated Copper	5.9
Jacket: Extrusion 1 ①	Zerohal* - Black. Marked 'Raychem - EPD 21138C - Year of Manufacture'	8.3 ±0.4
	① CR04-DP-0261 refers to changes PB 17/03/06	
Maximum Surface Transfer Impedance	Notes	Calculated nom. weight (Kg/Km)
	* - Raychem Trademark	101

**Lengths:** Unless otherwise specified on your order this cable may be supplied in the following maximum number of continuous lengths:

Order Quantity (m)  
 100 + One other length

Tyco Electronics UK Ltd  
 Faraday Road, Dorcan  
 Swindon SN3 5HH  
 Tel: (01793) 528171  
 Telex: 449409

Registration Number:  
 550926 London, England