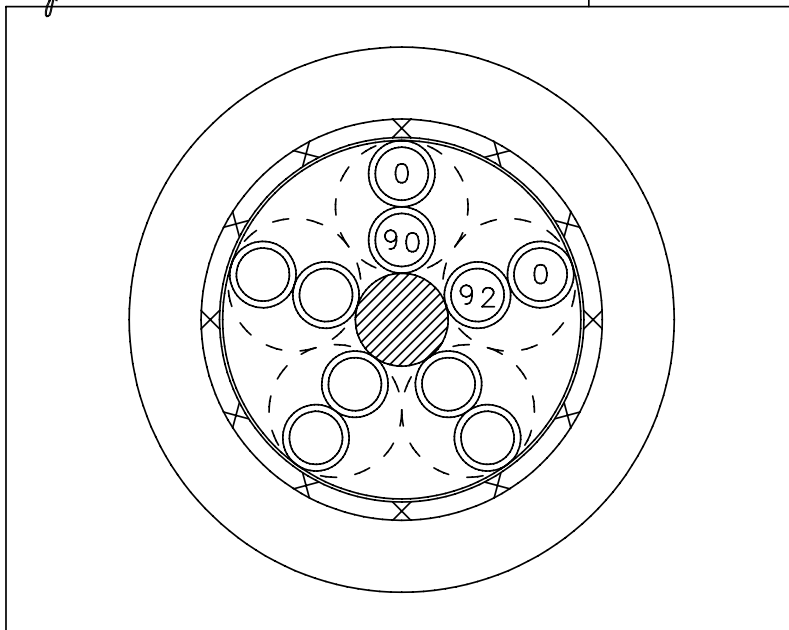


Product Construction: 10 Conductor Cable Shielded and Jacketed	Redrawn 02/06/06	Product Description EPD 21139	Issue C ① S'sedes
--	---------------------	----------------------------------	----------------------

Designer John Boshier	Date 02/06/06	Product Manager Mark Sawyer	Date 02/06/06	Page 1 of 1
--------------------------	------------------	--------------------------------	------------------	----------------



Controlled Customer Copy
ROYAL NAVY
NETHERLANDS

Specifications
Raychem WCD2015 ①

The copyright in this drawing is the property of Tyco Electronics UK Limited. The drawing is issued on condition it is not copied, reproduced or disclosed to a third party either in whole or in part without prior written consent of Tyco Electronics UK Limited.

Layer Type / Operation	Component Details <i>Part Numbers refer to issue in effect at date of issue of this EPD.</i>	Nominal O.D.mm
Components: Cable	5 of 44A0121-22 Colours as above All remaining pairs black/white	
Cabling: Centre Layer 1	Filler 5 of 44A0121-22	5.9
Wrap:	Mylar	6.0
Shield: Braid	Tin Plated Copper	6.6
Jacket: Extrusion 1 ①	Zerohal* - Black. Marked 'Raychem - EPD 21139C - Year of Manufacture'	8.9 ±0.4
	① CR04-DP-0261 refers to change JRB 02/06/06	
Maximum Surface Transfer Impedance	Notes	Calculated nom. weight (Kg/Km)
	* - Raychem Trademark	117

Lengths: Unless otherwise specified on your order this cable may be supplied in the following maximum number of continuous lengths:

Order Quantity (m) + One other length
100

Tyco Electronics UK Ltd
Faraday Road, Dorcan
Swindon SN3 5HH
Tel: (01793) 528171
Telex: 449409

Registration Number:
550926 London, England