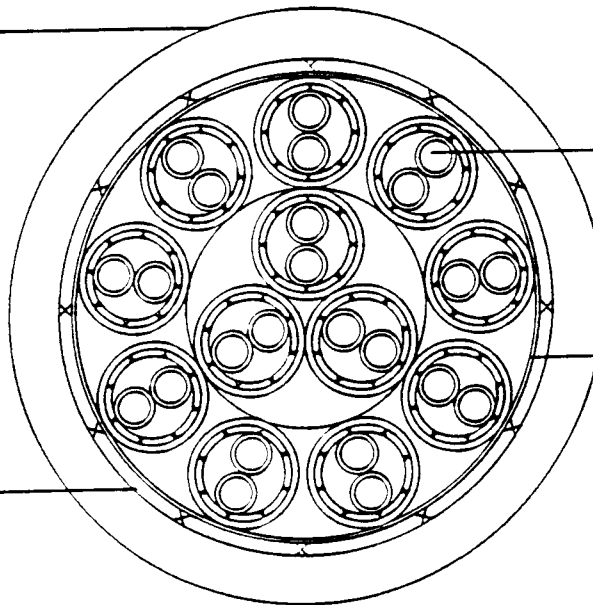


Product Construction	Product Description
22 AWG Shielded and Jacketed Pairs, Overall Shield Overall Jacketed Cables	EPD 21155C thru' to 21162C

Designer	Date	Product Manager	Date	Page 1
<i>J. Campbell</i>	<i>24th August, 1994.</i>	<i>Shardner</i>	<i>25.8.94</i>	of 1

<p>The copyright in this drawing is the property of Raychem Limited. The drawing is issued on condition it is not copied, reproduced or disclosed to a third party either in whole or in part without prior written consent of Raychem Limited.</p>	Specifications
	Components to MSV 34401
	Finished Cable to MSV 34413

Jacket - Zerohal TM -
Black - Marked in
accordance with
MSV 34413



Components -
44A1121-22-0/9-9
(Jackets striped as below)

Mylar Wrap -
40% Nominal Overlap

Tinned Copper Braid -
85% Minimum Coverage

EPD NUMBER	NO. OF CORES 22 AWG	CORE ASSEMBLY	SCREEN SIZE AWG	OVERALL JACKET WALL THICKNESS		OVERALL DIAMETER		NOM WEIGHT Kgs/Km
				NOM (mm)	MIN (mm)	NOM (mm)	TOL ±mm	
21155C	3x2	3	36	1.3	1.0	10.2	0.50	144
21156C	7x2	1+6	36	1.3	1.0	12.9	0.60	254
21157C	12x2	3+9	34	1.3	1.0	15.6	0.80	398
21158C	19x2	1+6+12	32	1.6	1.3	19.5	1.00	625
21159C	24x2	2+8+14	32	1.8	1.4	21.8	1.10	775
21160C	30x2	4+10+16	30	2.0	1.7	24.4	1.20	982
21161C	37x2	1+6+12+18	30	2.2	1.8	26.9	1.30	1188
21162C	61x2	1+6+12+18+24	30	2.8	2.3	34.2	1.70	1872

Fillers and Binders may be used as necessary to form a round assembly.

COLOUR CODING for Component Jackets: In each layer - first jacket White with a Black stripe, second jacket White with a Red stripe, remaining jackets all White.

Raychem Limited
Faraday Road, Dorcan
SWINDON SN3 5HH
Tel: (0793) 528171
Telex: 449409

Registration Number:
674706 London, England
Registered Office: Rolls House
7 Rolls Building, Fetter Lane
LONDON EC4A 1NH